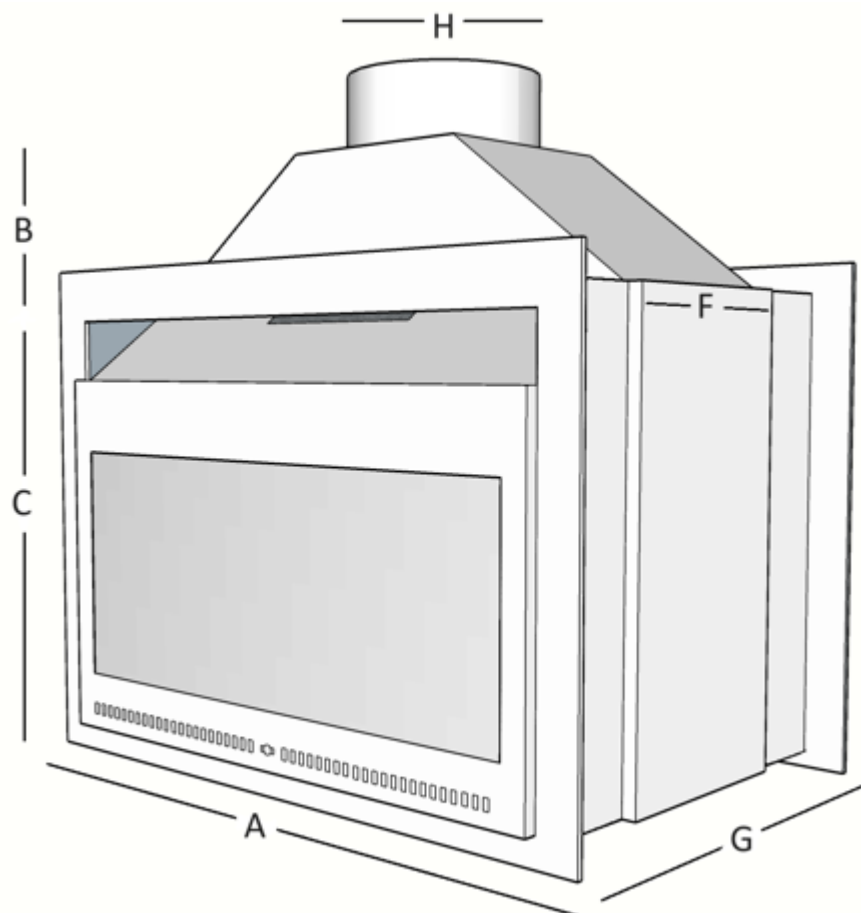


Specifications for Thermo Traditional Double-sided Build-in Fireplaces



PRODUCT	A=FP width	B=Gather H	C=FP height	H =Flue	E=Lintels	F=Gather D	G=FP depth
MEASUREMENTS GIVEN IN MILLIMETRE							
600	600 mm	270	750	230 \emptyset	185	250	620
700	700 mm	270	750	250 \emptyset	175	270	620
850	850 mm	270	750	300 \emptyset	150	320	620
1050	1050 mm	300	795	350 \emptyset	125	370	620
1200	1200 mm	320	795	380 \emptyset	150	400	700